

**GIRLS' SWEET 16 CHAMPIONSHIP**

*Quarterfinals*

**Nicholas County**

**vs.**

**Calloway County**

**March 26, 1993**

VISITORS (Last Name, First)

NO.	NICHOLAS COUNTY	Tot		3-POINT		FT		FTA		Rebounds			PF	TP	A	TO	BLK	S	TIME
		FG	FGA	FG	FGA	FT	FTA	OFF	DEF	TOT									
11	LINVILLE, RENEE	3	6	1	2	3	4	1	2	3	3	10	3	2	0	0	0	32:00	
20	SCHANDING, E.	1	1	0	0	0	2	0	0	0	3	2	2	4	0	2	31:12		
52	DENKINS, KIM	9	17	0	0	8	13	7	5	12	3	26	2	6	2	3	28:20		
21	SMOOT, NIKKI	1	10	0	0	3	6	5	2	7	1	5	5	4	0	2	32:00		
22	HATTON, CHRISTIE	3	10	0	1	1	3	0	3	3	3	7	0	2	0	4	32:00		
53	HOPKINS, M.	1	2	0	0	0	0	2	2	4	1	2	0	1	1	0	4:28		
TEAM REBOUNDS (INCLUDED IN TOTALS)																			
TOTALS		18	46	1	3	15	28	19	15	34	14	52	12	19	3	11	160		
TOTAL FG 1st HALF		6/10	60.0%	2nd HALF		12/36	33.3% GAME			18/46		39.1%	DEADBALL						
3-POINT FG 1st HALF		1/1	100.0%	2nd HALF		0/2	0.0% GAME			1/3		33.3%	REBOUNDS		4				
FREE THROWS 1st HALF		6/9	66.7%	2nd HALF		9/19	47.4% GAME			15/28		53.6%							

HOME (Last Name, First)

NO.	CALLOWAY COUNTY	Tot		3-POINT		FT		FTA		Rebounds			PF	TP	A	TO	BLK	S	TIME
		FG	FGA	FG	FGA	FT	FTA	OFF	DEF	TOT									
45	DARNELL, LEAH	1	4	0	0	0	0	2	3	5	5	2	0	1	1	0	20:52		
55	WISEHART, MOLLY	6	11	0	0	0	0	3	6	9	5	12	0	4	0	2	27:12		
31	DUNN, ANTONIA	1	2	0	0	0	0	4	4	8	3	2	0	4	1	1	23:18		
13	SHELTON, VALERIE	5	20	1	3	4	4	1	1	2	2	15	3	6	0	3	31:56		
22	BUCH, SUSAN	2	5	2	5	2	2	0	2	2	3	8	1	3	0	2	17:12		
14	BEACH, FARRAH	0	1	0	0	0	0	1	1	2	3	0	2	3	0	3	20:21		
20	McCLARD, MARTI	0	0	0	0	0	0	0	0	0	0	0	0	0	0	0	2:45		
35	STUBBLEFIELD, L.	0	0	0	0	0	0	0	1	1	2	0	0	2	0	0	2:32		
50	RANDOLPH, K.	2	3	0	0	0	0	2	1	3	2	4	0	0	0	0	10:37		
25	RICKMAN, MITZIE	0	0	0	0	0	0	0	0	0	1	0	0	0	0	0	0:42		
10	GEURIN, JACKIE	0	0	0	0	0	0	0	0	0	0	0	0	0	0	0	2:16		
32	BLACKFORD, ROBYN	0	0	0	0	0	0	0	0	0	0	0	0	0	0	0	0:7		
33	PAUL, JENIFER	0	0	0	0	0	0	0	0	0	0	0	0	0	0	0	0:7		
24	WILSON, HEIDI	0	0	0	0	0	0	0	0	0	0	0	0	0	0	0	0:7		
TEAM REBOUNDS (INCLUDED IN TOTALS)																			
TOTALS		17	46	3	8	6	7	14	17	31	26	43	6	23	2	11	160		
TOTAL FG 1st HALF		4/8	50.0%	2nd HALF		13/38	34.2% GAME			17/46		37.0%	DEADBALL						
3-POINT FG 1st HALF		1/1	100.0%	2nd HALF		2/7	28.6% GAME			3/8		37.5%	Rebounds		2				
FREE THROWS 1st HALF		0/0	0.0%	2nd HALF		6/6	100.0% GAME			6/7		85.7%							

OFFICIALS: MARCUS CAMACHO, DOUGLAS HARLOW, ALT.-S.  
 Technicals: None

		SCORE BY PERIODS				
NICHOLAS COUNTY	19	10	10	13	=	52
CALLOWAY COUNTY	9	15	9	10	=	43

Attendance: 4,509

COMMENTS: POINTS OFF TURNOVERS		SECOND CHANCE POINTS	
NICHOLAS COUNTY	18	CALLOWAY COUNTY	25
NICHOLAS COUNTY	14	CALLOWAY COUNTY	10

NICHOLAS COUNTY "LADY JACKETS" vs CALLOWAY COUNTY "LAKERS"  
2nd Half Play by Play

Tip off at 1:00 p.m. on 03/26/93 at GIRLS STATE TOURNEY GM 9  
Produced by the KHSAA Sweet Sixteen Stat Crew with FINAL III - a Product of LEXICON SPORTS

Player	Team	CALLOWAY COUNTY	Time	Score	NICHOLAS COUNTY	Player	Team
DARNELL, LEAH, SHELTON, VALERIE, DUNN, ANTONIA, WISEHART, MOLLY, BUCY, SUSAN					LINVILLE, RENEE, SCHANDING, E., DENKINS, KIM, SHOOT, NIKKI, HATTON, CHRISTIE Ball to LADY JACKETS		
3	4	Foul on WISEHART, MOLLY	4 7:23				
		Sub In: BEACH, FARRAH Out: BUCY, SUSAN	4 6:51				
6-10	60.0%	15-40 37.5%	4 6:26	*35-39			
2	6	Assist by BEACH, FARRAH					
1-2	50.0%	16-42 38.0%	4 6:16	*37-39			
		2 ft Lane Follow by DUNN, ANTONIA	4 5:43		Player Control Foul on SHOOT, NIKKI	1	6
		REB: 28 A: 6 BLK: 1 TO: 20 PF: 4	4 5:43		REB: 28 A: 9 BLK: 3 TO: 18 PF: 6		
		S: 10 FT: 2-2 100% FG: 16-42 38.0%	T I M E - O U T	NICHOLAS COUNTY No. 1	S: 10 FT: 10-19 52.6% FG: 14-39 35.8%		
		Sub In: BUCY, SUSAN Out: BEACH, FARRAH	4 4:43	37-41*	4 ft Lane Bank by DENKINS, KIM	8-15	53.3% 15-40 37.5%
		REB: 28 A: 6 BLK: 1 TO: 22 PF: 4			Assist by SHOOT, NIKKI	4	10
		S: 10 FT: 2-2 100% FG: 16-43 37.2%	No. 2 CALLOWAY COUNTY	T I M E - O U T	S: 10 FT: 10-19 52.6% FG: 16-42 38.0%		
			4 4:05	37-43*	2 ft Lane Follow by DENKINS, KIM	9-16	56.2% 16-42 38.0%
			4 3:40				
		REB: 28 A: 6 BLK: 1 TO: 22 PF: 4	4 3:40		REB: 30 A: 10 BLK: 3 TO: 18 PF: 6		
		S: 10 FT: 2-2 100% FG: 16-43 37.2%	No. 2 CALLOWAY COUNTY	T I M E - O U T	S: 10 FT: 10-19 52.6% FG: 16-42 38.0%		
		Sub In: BUCY, SUSAN Out: BEACH, FARRAH	4 3:17	37-45*	2 ft Lane Jump shot by HATTON, CHRISTIE	3-10	30.0% 17-43 39.5%
					Assist by SHOOT, NIKKI	5	11
5-19	26.3%	17-44 38.6%	4 3:09	*39-45			
4	5	6 ft Lane Driving by SHELTON, VALERIE	4 2:55				
		Foul on WISEHART, MOLLY	4 2:55				
		Sub In: BEACH, FARRAH Out: BUCY, SUSAN	4 2:55				
		REB: 28 A: 6 BLK: 1 TO: 22 PF: 5	4 2:55		REB: 30 A: 11 BLK: 3 TO: 18 PF: 6		
		S: 10 FT: 2-2 100% FG: 17-44 38.6%	T I M E - O U T	NICHOLAS COUNTY No. 2	S: 10 FT: 10-19 52.6% FG: 17-43 39.5%		
			4 2:34		Foul on SCHANDING, E.	3	7
		Foul on BEACH, FARRAH	4 1:51				
		Sub In: BUCY, SUSAN Out: WISEHART, MOLLY	4 1:51				
			4 1:21	39-47*	Turnaround Layup by LINVILLE, RENEE	3-6	50.0% 18-46 39.1%
					Assist by DENKINS, KIM	2	12
		Sub In: RANDOLPH, K. Out: BEACH, FARRAH	4 1:08		Foul on HATTON, CHRISTIE	3	8
4-4	100%	4-4 100%	4 1:00	*41-47			
		SHELTON, VALERIE, 2 Free Throws made both	4 1:00				
		REB: 29 A: 6 BLK: 2 TO: 24 PF: 6	4 1:00		REB: 31 A: 12 BLK: 3 TO: 19 PF: 8		
		S: 11 FT: 4-4 100% FG: 17-44 38.6%	No. 3 CALLOWAY COUNTY	T I M E - O U T	S: 11 FT: 10-19 52.6% FG: 18-46 39.1%		
			4 0:58				
		Foul on BUCY, SUSAN	4 0:58		DENKINS, KIM, 1 & Bonus missed 1st	4-8	50.0% 10-20 50.0%
		Sub In: WISEHART, MOLLY Out: RANDOLPH, K.	4 0:49		Foul on LINVILLE, RENEE	3	9
2-2	100%	6-6 100%	4 0:49	*43-47			
		BUCY, SUSAN, 2 Free Throws made both	4 0:49				
		Sub In: RANDOLPH, K. Out: WISEHART, MOLLY	4 0:48				
3	9	Foul on DUNN, ANTONIA	4 0:48				
		Sub In: WISEHART, MOLLY Out: RANDOLPH, K.	4 0:48				
			4 0:48	43-49*	DENKINS, KIM, 1 & Bonus made both	6-10	60.0% 12-22 54.5%
5	9	Foul on WISEHART, MOLLY	4 0:31				
		Sub In: RANDOLPH, K. Out: WISEHART, MOLLY	4 0:31				
			4 0:25		DENKINS, KIM, 1 & Bonus missed 1st	6-11	54.5% 12-23 52.1%
2	10	Foul on RANDOLPH, K.	4 0:25		HATTON, CHRISTIE, 1 & Bonus missed 1st	1-3	33.3% 12-24 50.0%
		Sub In: McCLARD, MARTI Out: RANDOLPH, K.	4 0:23				
5	11	Foul on DARNELL, LEAH	4 0:07				
		Sub In: BLACKFORD, ROBYN Out: DARNELL, LEAH	4 0:07				
			4 0:07	43-50*	LINVILLE, RENEE, 2 Shot Intentional made 1st missed	2nd 3-4	75.0% 13-26 50.0%
		Subs In: BLACKFORD, ROBYN, RICKMAN, MITZIE, PAUL, JENIFER,	4 0:07				
		WILSON, HEIDI					
		Out: DARNELL, LEAH, DUNN, ANTONIA, BUCY, SUSAN, McCLARD, MARTI					
		Subs In: GEURIN, JACKIE, BUCY, SUSAN	4 0:04				
		Out: BEACH, FARRAH, SHELTON, VALERIE					
		REB: 31 A: 6 BLK: 2 TO: 24 PF: 11	4 0:07		REB: 34 A: 12 BLK: 3 TO: 19 PF: 9		
		S: 11 FT: 6-6 100% FG: 17-46 36.9%	No. 4 CALLOWAY COUNTY	T I M E - O U T	S: 11 FT: 13-26 50.0% FG: 18-46 39.1%		
1	12	Foul on RICKMAN, MITZIE	4 0:04				
			4 0:04	43-52*	DENKINS, KIM, 2 Free Throws made both	8-13	61.5% 15-28 53.5%

NICHOLAS COUNTY "LADY JACKETS" vs CALLOWAY COUNTY "LAKERS"  
 2nd Half Play by Play

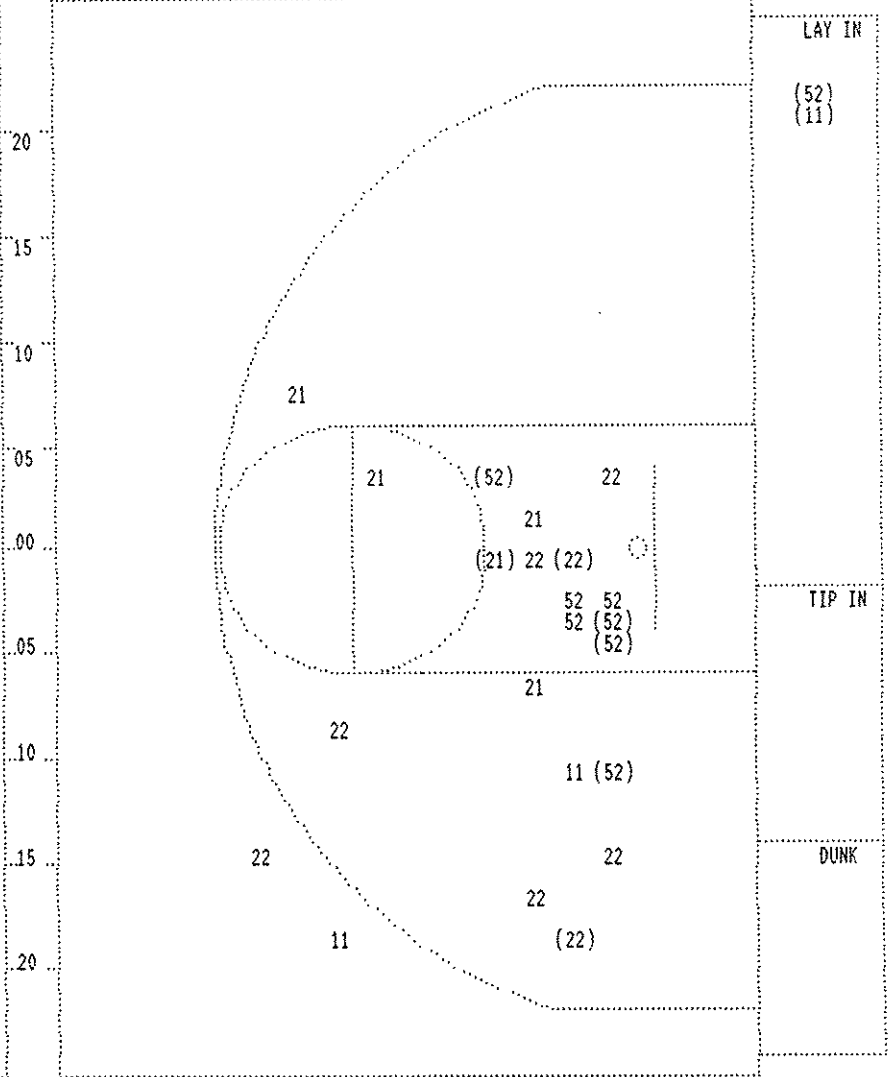
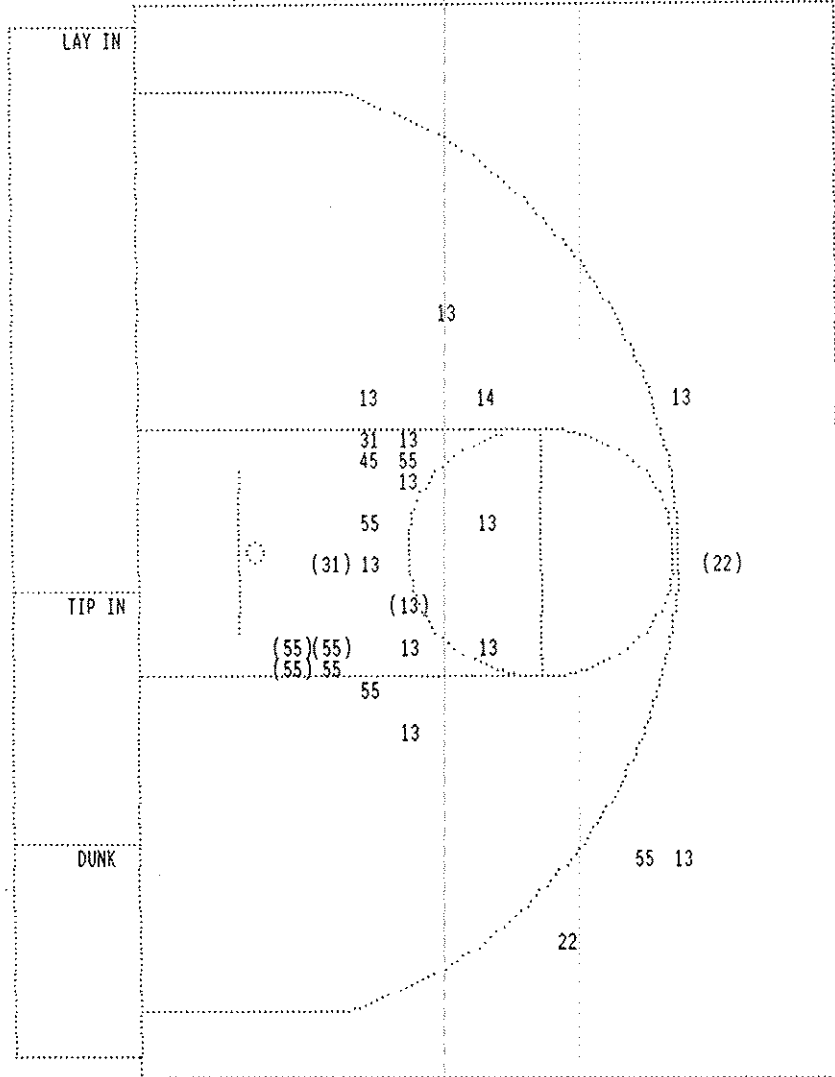
PAGE : 1

Tip off at 1:00 p.m. on 03/26/93 at GIRLS STATE TOURNEY GM 9  
 Produced by the KHSAA Sweet Sixteen Stat Crew with FINAL III - a Product of LEXIC

Player	Team	CALLOWAY COUNTY
DARNELL, LEAH, WISEHART, MOLLY, DUNN, ANTONIA, SHELTON, VALERIE, BUCY, SUSAN		
2-2	100%	2-2 100% SHELTON, VALERIE, 2 Free Throws made both
4-4	100%	12-22 54.5% 4 ft Lane Follow by WISEHART, MOLLY
4	1	Foul on DARNELL, LEAH Sub In: RANDOLPH, K. Out: DARNELL, LEAH
5-6	83.3%	13-27 48.1% 4 ft Lane Follow by WISEHART, MOLLY
1	2	Foul on BUCY, SUSAN
REB: 18 A: 5 BLK: 1 TO: 18 PF: 2 S: 9 FT: 2-2 100% FG: 13-27 48.1%		
Sub In: BEACH, FARRAH Out: BUCY, SUSAN		
Sub In: BUCY, SUSAN Out: RANDOLPH, K.		
2-5	40.0%	14-34 41.1% 3 pt 22 ft Straight Away Jump shot by BUCY, SUSAN
2	3	Foul on BUCY, SUSAN Sub In: GEURIN, JACKIE Out: BEACH, FARRAH

Time	Score	NICHOLAS COUNTY	Player	Team
LINVILLE, RENEE, SCHANDING, E., DENKINS, KIM, SHOOT, NIKKI, HATTON, CHRISTIE				
Ball to LADY JACKETS				
3 7:28		Foul on DENKINS, KIM	3	1
3 7:28	*26-29			
3 6:38	*28-29			
3 6:02	28-31*	18 ft Right Side Jump shot by HATTON, CHRISTIE	2-4	50.0% 10-27 37.0%
Assist by SCHANDING, E.				
3 5:33	28-33*	Turnaround Layup by DENKINS, KIM	5-11	45.4% 11-28 39.2%
Assist by LINVILLE, RENEE				
3 5:32				
3 5:32		DENKINS, KIM, 1 Free Throw missed	4-7	57.1% 10-17 58.8%
3 5:16	*30-33			
3 4:45	30-35*	10 ft Right Base Line Jump shot by DENKINS, KIM	6-12	50.0% 12-30 40.0%
Assist by SCHANDING, E.				
3 4:33		Foul on LINVILLE, RENEE	2	9
3 4:28			2	2
REB: 20 A: 9 BLK: 1 TO: 14 PF: 2 S: 8 FT: 10-17 58.8% FG: 12-30 40.0%				
No. 1 CALLOWAY COUNTY T I M E - O U T				
3 4:28		SCHANDING, E., 2 Free Throws missed both	0-2	00.0% 10-19 52.6%
3 3:42		Foul on HATTON, CHRISTIE	1	3
3 3:42				
3 3:01	30-37*	6 ft Lane Driving by SHOOT, NIKKI	1-7	14.2% 13-33 39.3%
3 2:50		Foul on HATTON, CHRISTIE	2	4
3 2:07	30-39*	7 ft Lane Turnaround by DENKINS, KIM	7-14	50.0% 14-36 38.8%
3 1:48		Foul on SCHANDING, E.	2	5
3 1:48				
3 1:48		Sub In: HOPKINS, M. Out: DENKINS, KIM		
3 1:30	*33-39			
3 0:49				
3 0:49				

SECOND HALF SHOT CHART Produced by the KHSAA Sweet Sixteen Stat Crew with FINAL III - a Product of LEXICON SPORTS™



CALLOWAY COUNTY					
Player			Player		
45 - DARNELL, L	0 / 1	0.0%	14 - BEACH, FAR	0 / 1	0.0%
55 - WISEHART,	3 / 8	37.5%			
31 - DUNN, ANTO	1 / 2	50.0%			
13 - SHELTON, VA	1 / 12	8.3%			
22 - BUCY, SUSA	1 / 2	50.0%			
Layups	1-9 Ft	10-15 Ft	Over 15 Ft	3 Pointers	Total
	5 / 16	0 / 5	0 / 2	1 / 3	6 / 26
	31.3%	0.0%	0.0%	33.3%	23.1%

NICHOLAS COUNTY					
Player			Player		
11 - LINVILLE,	1 / 3	33.3%			
52 - DENKINS, K	5 / 8	62.5%			
21 - SMOOT, NIK	1 / 5	20.0%			
22 - HATTON, CHR	2 / 8	25.0%			
Layups	1-9 Ft	10-15 Ft	Over 15 Ft	3 Pointers	Total
	2 / 2	5 / 12	1 / 4	1 / 4	0 / 2
	100.0%	41.7%	25.0%	25.0%	0.0%
					9 / 24
					37.5%

Official Boxscore \* OFFICIAL FIRST HALF \*

Date: 03-26-93 Site: GIRLS STATE TOURNEY GM 9

VISITORS (Last Name, First)

NO.	NICHOLAS COUNTY	Tot FG		3-POINT		FT	FTA	Rebounds			PF	TP	A	TO	BLK	S	TIME
		FG	FGA	FG	FGA			OFF	DEF	TOT							
11	LINVILLE, RENEE	2	3	1	1	2	2	0	1	1	1	7	2	1	0	0	16:00
20	SCHANDING, E.	1	1	0	0	0	0	0	0	0	1	2	0	3	0	1	15:12
52	DENKINS, KIM	4	9	0	0	4	6	3	1	4	2	12	1	4	0	1	14:08
21	SMOOT, NIKKI	0	5	0	0	3	6	4	1	5	0	3	3	2	0	2	16:00
22	HATTON, CHRISTIE	1	2	0	0	1	2	0	2	2	0	3	0	0	0	2	16:00
53	HOPKINS, M.	1	2	0	0	0	0	2	1	3	1	2	0	1	0	0	2:40
TEAM REBOUNDS (INCLUDED IN TOTALS)								1		1							
TOTALS		9	22	1	1	10	16	10	6	16	5	29	6	11	0	6	80
TOTAL FG	1st HALF	6/10	60.0%	2nd HALF	3/12	25.0% GAME				9/22		40.9%	DEADBALL				
3-POINT FG	1st HALF	1/1	100.0%	2nd HALF	0/0	0.0% GAME				1/1		100.0%	REBOUNDS		1		
FREE THROWS	1st HALF	6/9	66.7%	2nd HALF	4/7	57.1% GAME				10/16		62.5%					

HOME (Last Name, First)

NO.	CALLOWAY COUNTY	Tot FG		3-POINT		FT	FTA	Rebounds			PF	TP	A	TO	BLK	S	TIME
		FG	FGA	FG	FGA			OFF	DEF	TOT							
45	DARNELL, LEAH	1	3	0	0	0	0	1	3	4	3	2	0	1	1	0	10:31
55	WISEHART, MOLLY	3	3	0	0	0	0	0	1	1	2	6	0	1	0	1	12:37
31	DUNN, ANTONIA	0	0	0	0	0	0	0	1	1	2	0	0	2	0	1	7:25
13	SHELTON, VALERIE	4	8	1	2	0	0	0	0	0	2	9	3	3	0	1	16:00
22	BOCY, SUSAN	1	3	1	3	0	0	0	0	0	0	3	1	3	0	2	7:24
14	BEACH, FARRAH	0	0	0	0	0	0	0	0	0	2	0	1	2	0	2	12:22
20	McCLARD, MARTI	0	0	0	0	0	0	0	0	0	0	0	0	0	0	0	2:29
35	STUBBLEFIELD, L.	0	0	0	0	0	0	0	1	1	2	0	0	2	0	0	2:32
50	RANDOLPH, K.	2	3	0	0	0	0	2	1	3	1	4	0	0	0	0	6:42
25	RICKMAN, MITZIE	0	0	0	0	0	0	0	0	0	0	0	0	0	0	0	0:35
10	GEURIN, JACKIE	0	0	0	0	0	0	0	0	0	0	0	0	0	0	0	1:23
TEAM REBOUNDS (INCLUDED IN TOTALS)								3		1							
TOTALS		11	20	2	5	0	0	3	8	11	14	24	5	14	1	7	80
TOTAL FG	1st HALF	4/8	50.0%	2nd HALF	7/12	58.3% GAME				11/20		55.0%	DEADBALL				
3-POINT FG	1st HALF	1/1	100.0%	2nd HALF	1/4	25.0% GAME				2/5		40.0%	Rebounds		0		
FREE THROWS	1st HALF	0/0	0.0%	2nd HALF	0/0	0.0% GAME				0/0		0.0%					

OFFICIALS: MARCUS CAMACHO, DOUGLAS HARLOW, ALT.-S. BAUER SCORE BY PERIODS

Technical: None

NICHOLAS COUNTY 19 10 = 29  
CALLOWAY COUNTY 9 15 = 24

Attendance:

COMMENTS: POINTS OFF TURNOVERS SECOND CHANCE POINTS  
NICHOLAS COUNTY 12 CALLOWAY COUNTY 14 NICHOLAS COUNTY 5 CALLOWAY COUNTY 4

CALLLOWAY COUNTY				NICHOLAS COUNTY		Player	Team
SHELTON, VALERIE, BEACH, FARRAH, WISEHART, MOLLY, BUCY, SUSAN, RANDOLPH, K.				LINVILLE, RENEE, SCHANDING, E., DENKINS, KIM, SMOOT, NIKKI, HATTON, CHRISTIE			
2-2	100%	5-9	55.5%	8 ft Lane Jump shot by WISEHART, MOLLY	2 7:40		
1		2		Assist by BEACH, FARRAH	2 7:20 *11-19		
1-2	50.0%	6-11	54.5%	3 ft Lane Bank by RANDOLPH, K.	2 6:41 11-21*	Layup Off Fast Break by SCHANDING, E.	1-1 100% 7-12 58.3%
1		3		Assist by SHELTON, VALERIE	2 6:25 *13-21	Assist by SMOOT, NIKKI	3 5
3-3	100%	7-12	58.3%	Bank Layup by WISEHART, MOLLY	2 6:08 13-23*	2 ft Lane Jump shot by DENKINS, KIM	4-7 57.1% 8-13 61.5%
2		4		Assist by SHELTON, VALERIE	2 5:53 *15-23	Assist by LINVILLE, RENEE	2 6
4-6	66.6%	8-13	61.5%	Driving Layup by SHELTON, VALERIE	2 5:13 *17-23		
REB: 5 A: 4 BLK: 0 TO: 8 PF: 8				2 5:09		REB: 7 A: 6 BLK: 0 TO: 7 PF: 2	
S: 4 FT: 0-0 00.0% FG: 8-13 61.5%				T I M E - O U T NICHOLAS COUNTY No. 1		S: 4 FT: 6-9 66.6% FG: 8-13 61.5%	
Sub In: McCLARD, MARTI Out: RANDOLPH, K.				2 5:09			
Sub In: GEURIN, JACKIE Out: BUCY, SUSAN				2 5:09			
Sub In: DARNELL, LEAH Out: McCLARD, MARTI				2 4:42			
1		9		Foul on DARNELL, LEAH	2 3:46		
Sub In: DUNN, ANTONIA Out: GEURIN, JACKIE				2 3:10 *17-24	DENKINS, KIM, 1 & Bonus made both	3-4	75.0% 7-10 70.0%
Foul on BEACH, FARRAH				2 3:46			
Sub In: BUCY, SUSAN Out: BEACH, FARRAH				2 2:40	Foul on SCHANDING, E.	1	3
1		10			2 2:40	Sub In: HOPKINS, M. Out: DENKINS, KIM	
Sub In: McCLARD, MARTI Out: WISEHART, MOLLY				2 2:21	Sub In: DENKINS, KIM Out: SCHANDING, E.		
1-3	33.3%	9-17	52.9%	3 ft Lane Follow by DARNELL, LEAH	2 2:21 17-25*	SMOOT, NIKKI, 1 & Bonus made 1st missed 2nd	2-4 50.0% 8-12 66.6%
2		11		Foul on DARNELL, LEAH	2 2:19 17-27*	2 ft Lane Follow by HOPKINS, M.	1-2 50.0% 9-21 42.8%
Sub In: RANDOLPH, K. Out: McCLARD, MARTI				2 2:08	Foul on HOPKINS, M.	1	4
Foul on BEACH, FARRAH				2 2:08			
2		12			2 2:03 *19-27		
Sub In: BUCY, SUSAN Out: BEACH, FARRAH				2 1:40			
Player Control Foul on SHELTON, VALERIE				2 1:40			
1-2	50.0%	10-18	55.5%	3 pt 23 ft Right Side Jump shot by BUCY, SUSAN	2 1:40 19-28*	DENKINS, KIM, 2 Free Throws made 1st missed 2nd	4-6 66.6% 9-14 64.2%
3		5		Assist by SHELTON, VALERIE	2 1:35		
2-3	66.6%	11-20	55.0%	4 ft Lane Follow by RANDOLPH, K.	2 0:57 *22-29	SMOOT, NIKKI, 1 & Bonus made both	3-5 60.0% 10-15 66.6%
0-1	Tot-1	0-1	Tot-11	Rebound by DARNELL, LEAH	2 1:33	SMOOT, NIKKI, 1 & Bonus missed 1st	3-6 50.0% 10-16 62.5%
3		14		Player Control Foul on DARNELL, LEAH	2 1:33	Foul on DENKINS, KIM	2 5
1		14		Player Control Foul DARNELL, LEAH	2 1:23	Sub In: SCHANDING, E. Out: DENKINS, KIM	
				2 0:57 *22-29			
				2 0:16 *24-29			
				2 0:00			
				2 0:00			
				2 0:00			

NICHOLAS COUNTY "LADY JACKETS" vs CALLOWAY COUNTY "LAKERS"  
1st Half Play by Play

Tip off at 1:00 p.m. on 03/26/93 at GIRLS STATE TOURNEY GM 9  
Produced by the KHSAA Sweet Sixteen Stat Crew with FINAL III - a Product of LEXICON

Player	Team	CALLOWAY COUNTY
DARNELL, LEAH, WISEHART, MOLLY, DUNN, ANTONIA, SHELTON, VALERIE, BUCY, SUSAN		
1-1	100%	1-1 100% 3 pt 23 ft Right Angle Jump shot by SHELTON, VALERIE Assist by BUCY, SUSAN
1	1	
1	1	Foul on DUNN, ANTONIA Sub In: BEACH, FARRAH Out: BUCY, SUSAN
1-1	100%	2-3 66.6% 8 ft Right Side Jump shot by WISEHART, MOLLY
2	2	Foul on DUNN, ANTONIA Sub In: McCLARD, MARTI Out: DUNN, ANTONIA
1	3	Foul on WISEHART, MOLLY Sub In: STUBBLEFIELD, L. Out: WISEHART, MOLLY
1	4	Foul on SHELTON, VALERIE Sub In: RANDOLPH, K. Out: DARNELL, LEAH
1	5	Foul on RANDOLPH, K.
1	6	Foul on STUBBLEFIELD, L. Sub In: WISEHART, MOLLY Out: McCLARD, MARTI
2-4	50.0%	3-6 50.0% 18 ft Right Angle Jump shot by SHELTON, VALERIE
2	7	Foul on STUBBLEFIELD, L. Sub In: RICKMAN, MITZIE Out: STUBBLEFIELD, L. Sub In: DARNELL, LEAH Out: RANDOLPH, K.
2	8	Foul on WISEHART, MOLLY
3-5	60.0%	4-8 50.0% Sub In: BUCY, SUSAN Out: RICKMAN, MITZIE 18 ft Right Angle Jump shot by SHELTON, VALERIE

PAGE : 1

Time Score

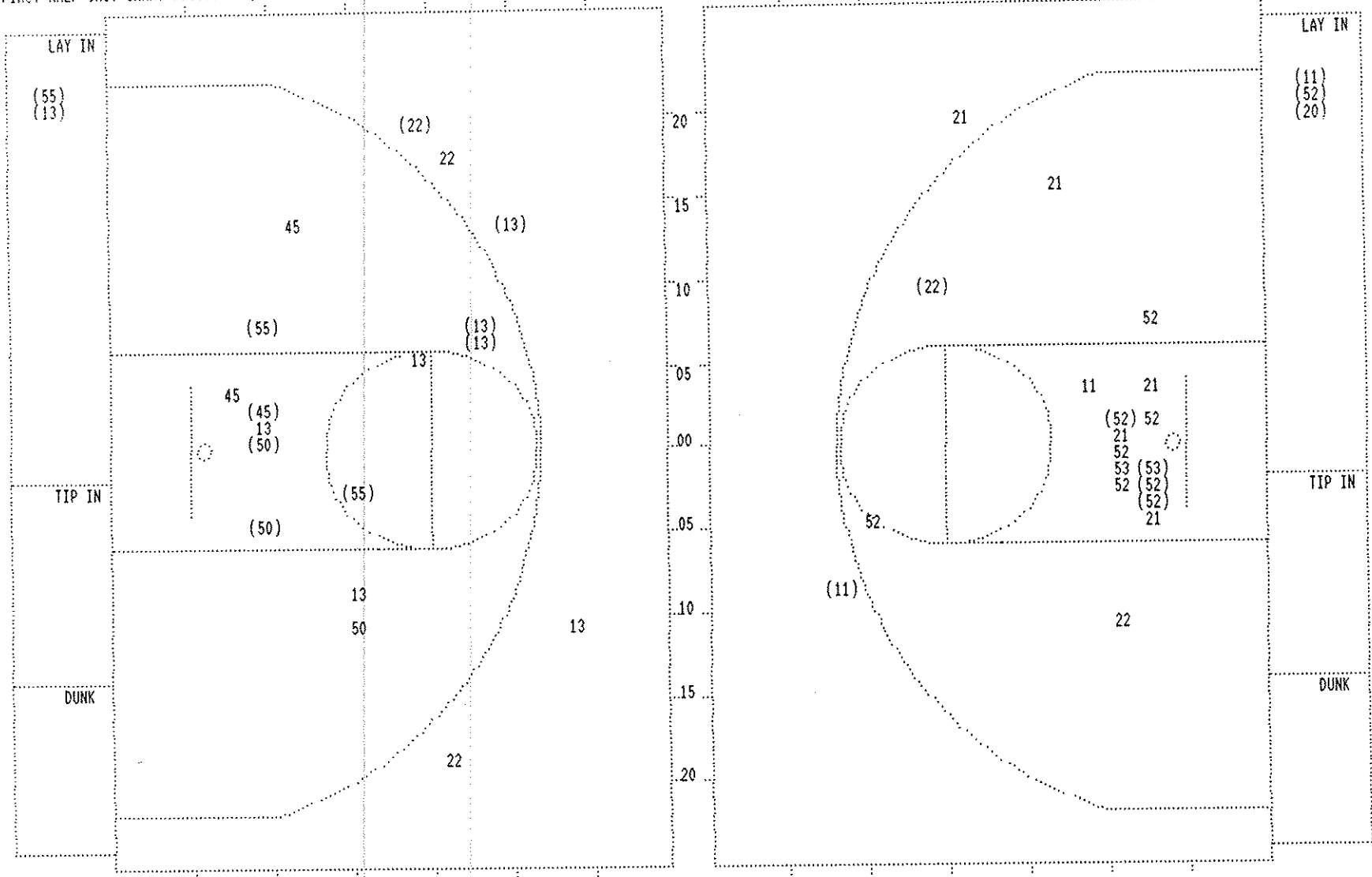
NICHOLAS COUNTY Player Team

LINVILLE, RENEE, SCHANTING, E., DENKINS, KIM, SMOOT, NIKKI, HATTON, CHRISTIE		Ball to LADY JACKETS	
1	7:23	*3-0	
1	6:19	3-2*	Layup Off Fast Break by LINVILLE, RENEE
1	5:58		
1	5:57		
1	5:57	3-4*	LINVILLE, RENEE, 2 Free Throws made both
1	5:04	3-6*	17 ft Left Angle Jump shot by HATTON, CHRISTIE Assist by DENKINS, KIM
1	4:32	*5-6	
1	4:21		
1	4:21		
1	4:02		
1	4:02		
1	4:02	5-7*	SMOOT, NIKKI, 2 Free Throws made 1st missed 2nd
1	3:41		
1	3:41		
1	2:50		
1	2:47		
1	2:47		
1	2:47	5-8*	DENKINS, KIM, 2 Free Throws missed 1st made 2nd
1	2:28	5-10*	2 ft Lane Turnaround by DENKINS, KIM Assist by LINVILLE, RENEE
1	1:43	*7-10	
1	1:30	7-12*	3 ft Lane Driving by DENKINS, KIM
1	1:30		
1	1:30		
1	1:30	7-13*	DENKINS, KIM, 1 Free Throw made
1	1:15		
1	1:15	7-14*	HATTON, CHRISTIE, 2 Free Throws made 1st missed 2nd
1	0:56		Foul on DENKINS, KIM
1	0:55		
1	0:40	*9-14	
1	0:29	9-16*	Driving Layup by DENKINS, KIM Assist by SMOOT, NIKKI
1	0:00	9-19*	3 pt 22 ft Right Angle Jump shot by LINVILLE, RENEE Assist by SMOOT, NIKKI

1-1	100%	1-3	33.3%
2-2	100%	2-2	100%
1-1	100%	2-4	50.0%
1		1	
1-2	50.0%	3-4	75.0%
1-2	50.0%	4-6	66.6%
1-3	33.3%	3-6	50.0%
1		2	
2-4	50.0%	4-7	57.1%
2-3	66.6%	5-7	71.4%
1-2	50.0%	6-9	66.6%
1		1	
3-5	60.0%	5-9	55.5%
1		3	
2-2	100%	6-10	60.0%
2		4	



FIRST HALF SHOT CHART Produced by the KHSAA Sweet Sixteen Stat Crew with FINAL III - a Product of LEXICON SPORTS™



CALLOWAY COUNTY					
Player				Player	
45 - DARNELL, L	1 / 3	33.3%			
55 - WISEHART,	3 / 3	100.0%			
13 - SHELTON, VA	4 / 8	50.0%			
22 - BUCY, SUSA	1 / 3	33.3%			
50 - RANDOLPH,	2 / 3	66.6%			
Layups	1-9 Ft	10-15 Ft	Over 15 Ft	3 Pointers	Total
2 / 2	5 / 7	0 / 4	2 / 2	2 / 5	11 / 20
100.0%	71.4%	0.0%	100.0%	40.0%	55.0%

NICHOLAS COUNTY					
Player			Player		
11 - LINVILLE,	2 / 3	66.6%	53 - HOPKINS, M	1 / 2	50.0%
20 - SCHANDING,	1 / 1	100.0%			
52 - DENKINS, K	4 / 9	44.4%			
21 - SHOOT, NIK	0 / 5	0.0%			
22 - HATTON, CHR	1 / 2	50.0%			
Layups	1-9 Ft	10-15 Ft	Over 15 Ft	3 Pointers	Total
3 / 3	4 / 13	0 / 1	1 / 4	1 / 1	9 / 22
100.0%	30.8%	0.0%	25.0%	100.0%	40.9%